



Benefits

The use of a man platform provides flexibility in work, doing away with scaffolding and safety nets and simplifying and speeding up the job.

Applications

- Municipalities
- Construction
- Industry

Approved machine

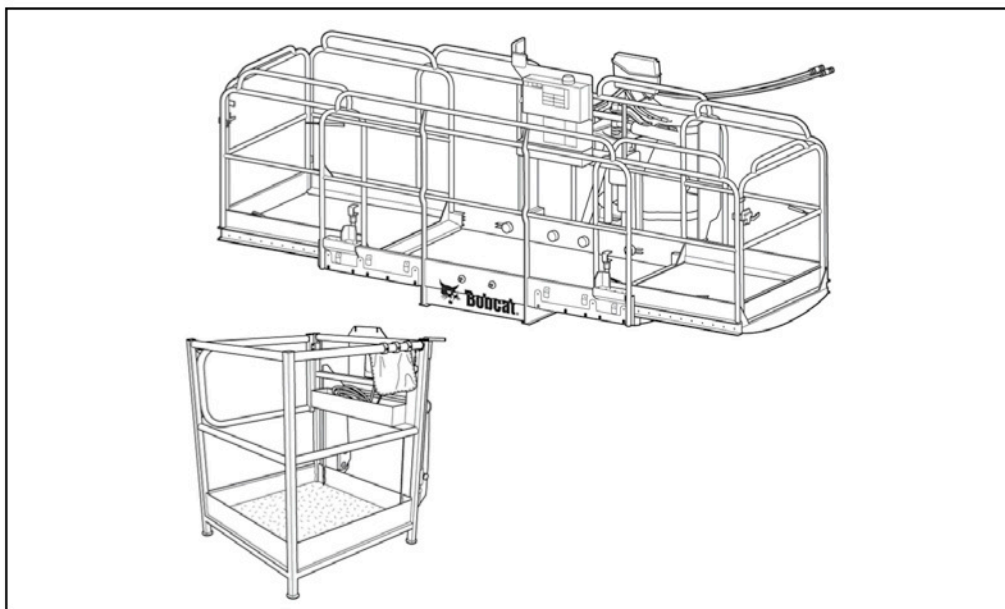
	Man platform 1 m	Man platform 2.4 m / 4 m
Approved for telescopic	35120SL MP, 40140, 40170	35120SL MP, 40140, 40170

Weights and dimensions

	Man platform 1 m	Man platform 2.4 m / 4 m
Operating weight (kg)	181	630
Overall width (normal / extended) (mm)	1025	2400 / 4000
Overall height (mm)	1234	1493
Overall length (mm)	1271	2329

Performance

	Man platform 1 m	Man platform 2.4 m / 4 m
Max load (kg)	220	500
Max persons	2	3



ASCO EQUIPMENT Sp. z o.o.

Ul. Lwowska 38
40-397 Katowice
Tel.: +48 322500591 Fax: +48 322500590
asco@asco-eq.pl
www.asco-eq.pl



www.bobcat.eu